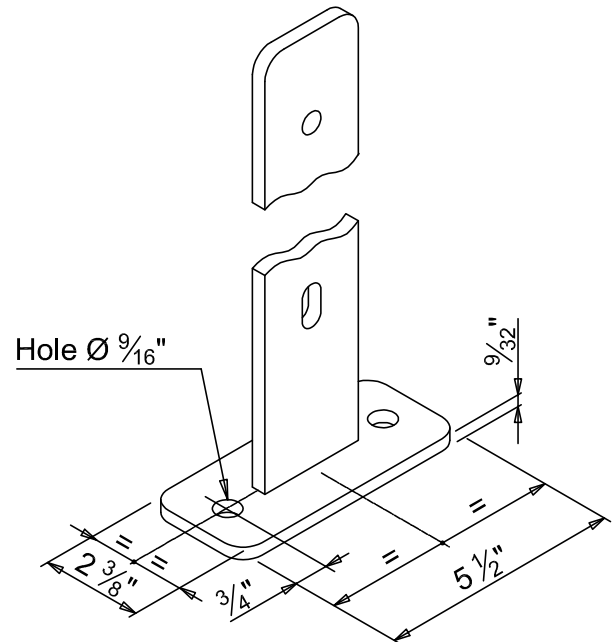
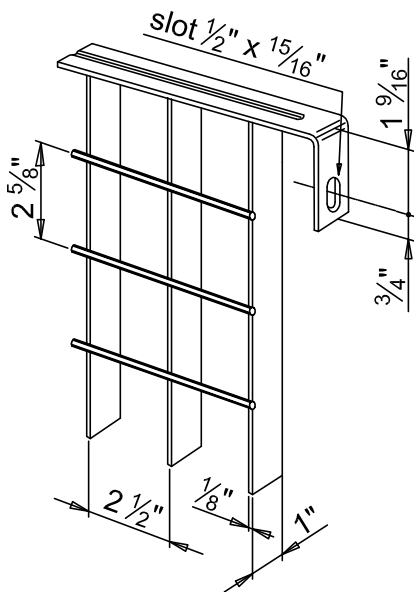
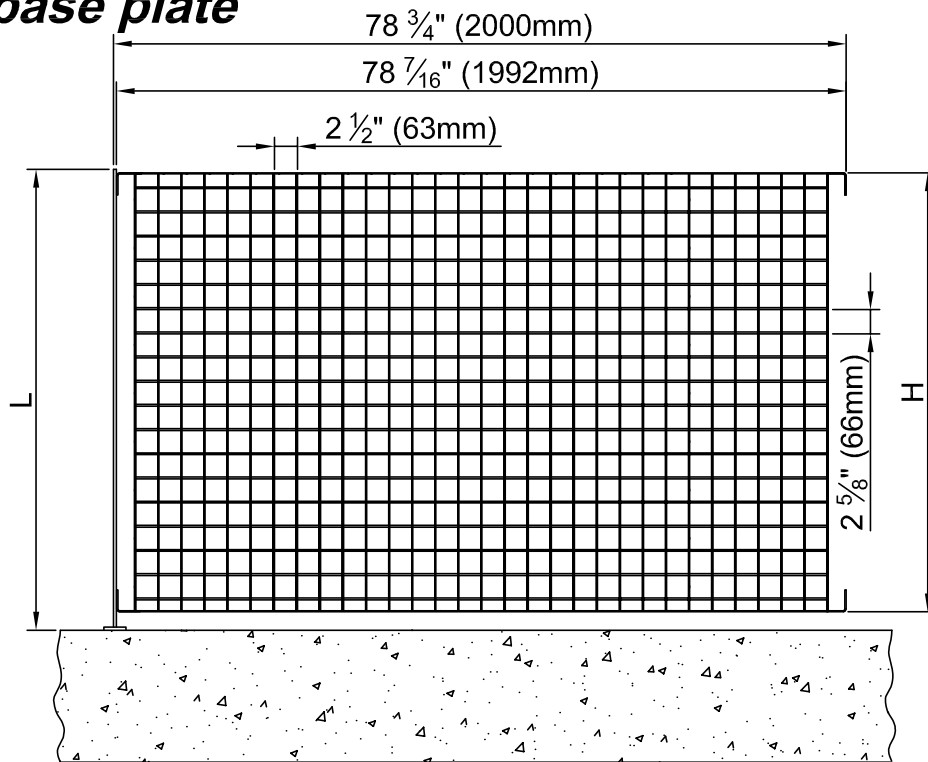


Panel height " (mm)	Post type " (mm)	Post height " (mm)	Module weight lb/ft <sup>2</sup> (kg/m <sup>2</sup> )
36 5/8" (930)	2 3/8" x 9/32" (≠60x7)	47 1/4" (1200)	3,2 (15,4)
47" (1195)	2 3/8" x 9/32" (≠60x7)	57 11/16" (1465)	3,1 (14,9)
52" (1320)	2 3/8" x 9/32" (≠60x7)	65" (1650)	3,1 (14,9)
57 1/2" (1460)	2 3/8" x 9/32" (≠60x7)	70 1/2" (1790)	3,0 (14,7)
67 3/4" (1720)	2 3/8" x 9/32" (≠60x7)	82 1/16" (2085)	3,0 (14,6)
78 1/8" (1985)	2 3/8" x 9/32" (≠60x7)	92 1/2" (2350)	2,9 (14,4)

# Apollo 3



## Post with base plate



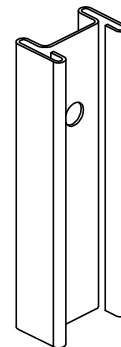
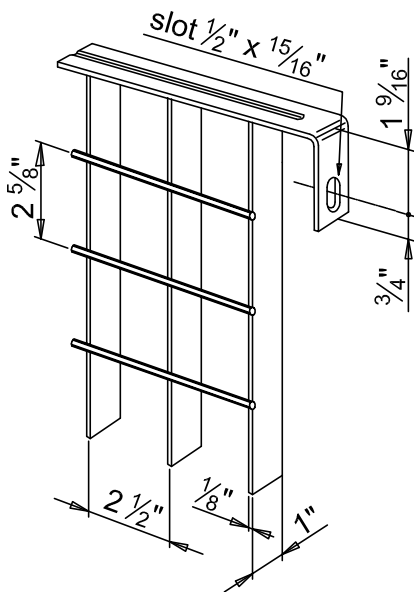
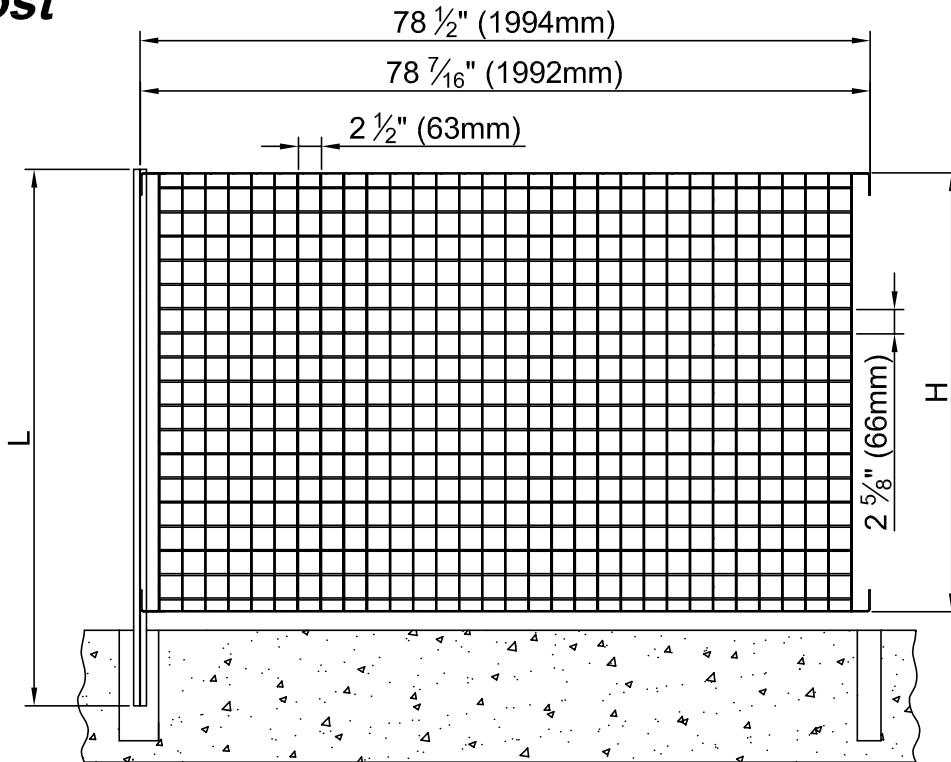
Panel height " (mm)	Post type " (mm)	Post height " (mm)	Module Weight lb/ft <sup>2</sup> (kg/m <sup>2</sup> )
36 5/8" (930)	2 3/8" x 9/32" (≠60x7)	38 15/16" (990)	3,1 (15,3)
47" (1195)	2 3/8" x 9/32" (≠60x7)	49 7/16" (1255)	3,0 (14,8)
52" (1320)	2 3/8" x 9/32" (≠60x7)	54 5/16" (1380)	3,0 (14,8)
57 1/2" (1460)	2 3/8" x 9/32" (≠60x7)	59 3/16" (1520)	3,0 (14,5)
67 3/4" (1720)	2 3/8" x 9/32" (≠60x7)	70 1/16" (1780)	2,9 (14,4)
78 1/8" (1985)	2 3/8" x 9/32" (≠60x7)	80 1/2" (2045)	2,9 (14,3)

Material: (Fe360B UNI 7070) S235 JR EN 10025  
 Surface treatment: hot dip galvanizing UNI EN ISO 1461

# Apollo 3



## STYLE post



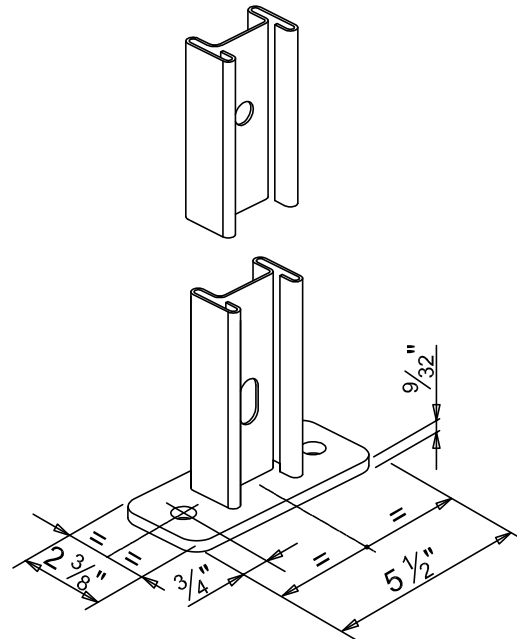
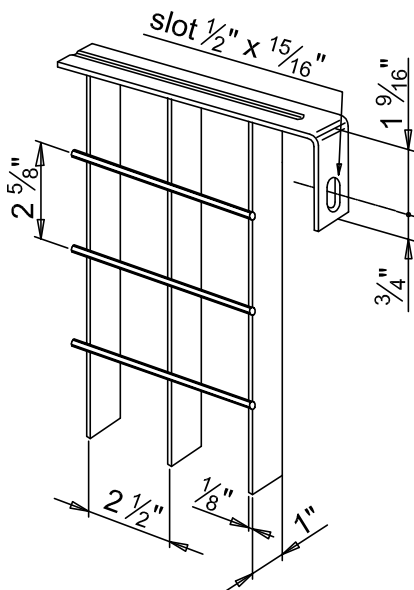
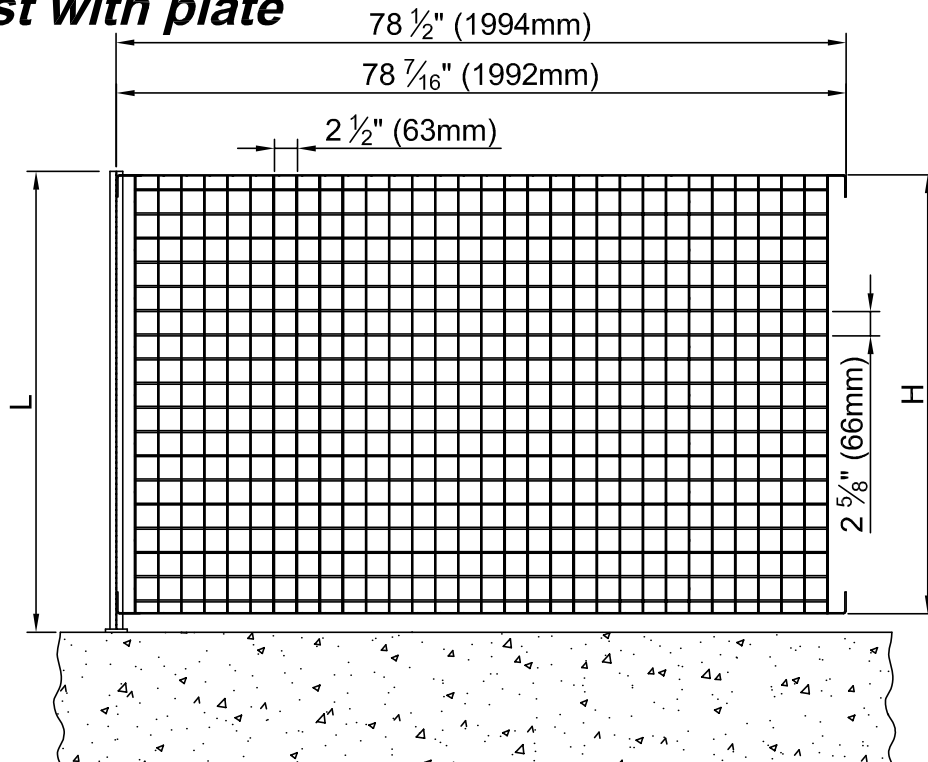
Panel height " (mm)	Post type	Post height " (mm)	Module Weight lb/ft <sup>2</sup> (kg/m <sup>2</sup> )
36 <sup>5</sup> / <sub>8</sub> " (930)	STYLE	47 <sup>1</sup> / <sub>4</sub> " (1200)	3,0 (14,8)
47" (1195)	STYLE	57 <sup>11</sup> / <sub>16</sub> " (1465)	2,9 (14,4)
52" (1320)	STYLE	65" (1650)	2,9 (14,4)
57 <sup>1</sup> / <sub>2</sub> " (1460)	STYLE	70 <sup>1</sup> / <sub>2</sub> " (1790)	2,9 (14,1)
67 <sup>3</sup> / <sub>4</sub> " (1720)	STYLE	82 <sup>1</sup> / <sub>16</sub> " (2085)	2,9 (14,0)
78 <sup>1</sup> / <sub>8</sub> " (1985)	STYLE	92 <sup>1</sup> / <sub>2</sub> " (2350)	2,8 (13,9)

Material: (Fe360B UNI 7070) S235 JR EN 10025  
 Surface treatment: hot dip galvanizing UNI EN ISO 1461

# Apollo 3



## STYLE post with plate



Panel height " (mm)	Post type	Post height " (mm)	Module Weight lb/ft <sup>2</sup> (kg/m <sup>2</sup> )
36 5/8" (930)	STYLE	38 15/16" (990)	3,0 (14,8)
47" (1195)	STYLE	49 7/16" (1255)	2,9 (14,3)
52" (1320)	STYLE	54 5/16" (1380)	2,9 (14,3)
57 1/2" (1460)	STYLE	59 3/16" (1520)	2,9 (14,1)
67 3/4" (1720)	STYLE	70 1/16" (1780)	2,8 (13,9)
78 1/8" (1985)	STYLE	80 1/2" (2045)	2,8 (13,8)

Material: (Fe360B UNI 7070) S235 JR EN 10025  
 Surface treatment: hot dip galvanizing UNI EN ISO 1461