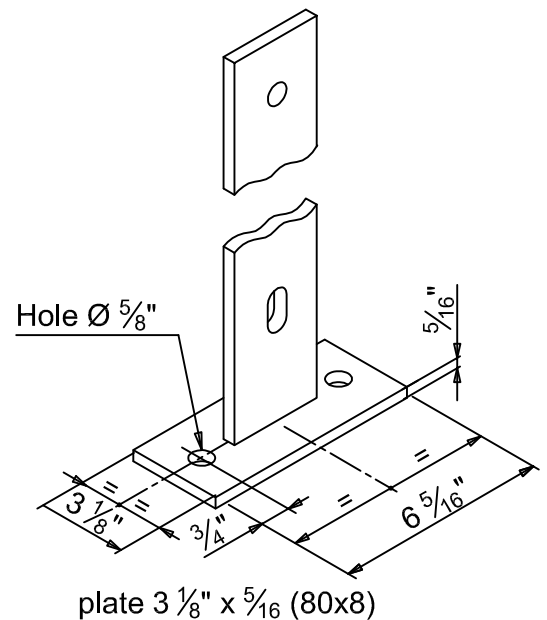
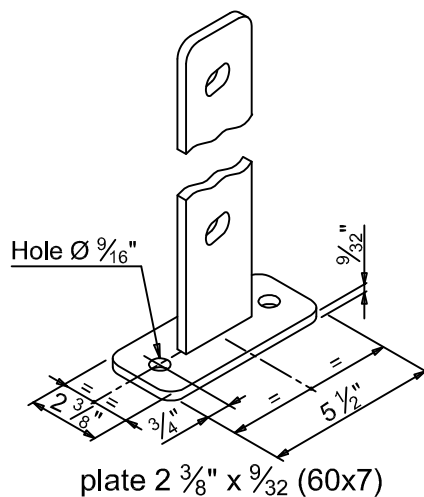
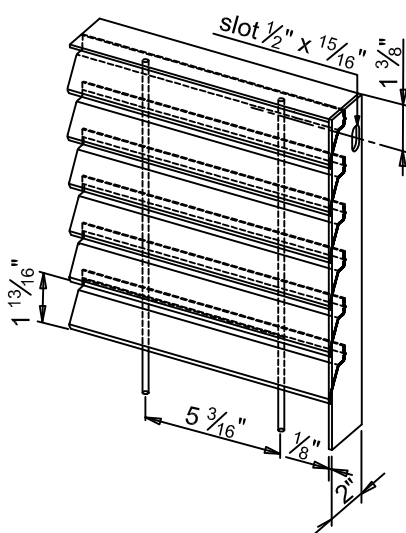
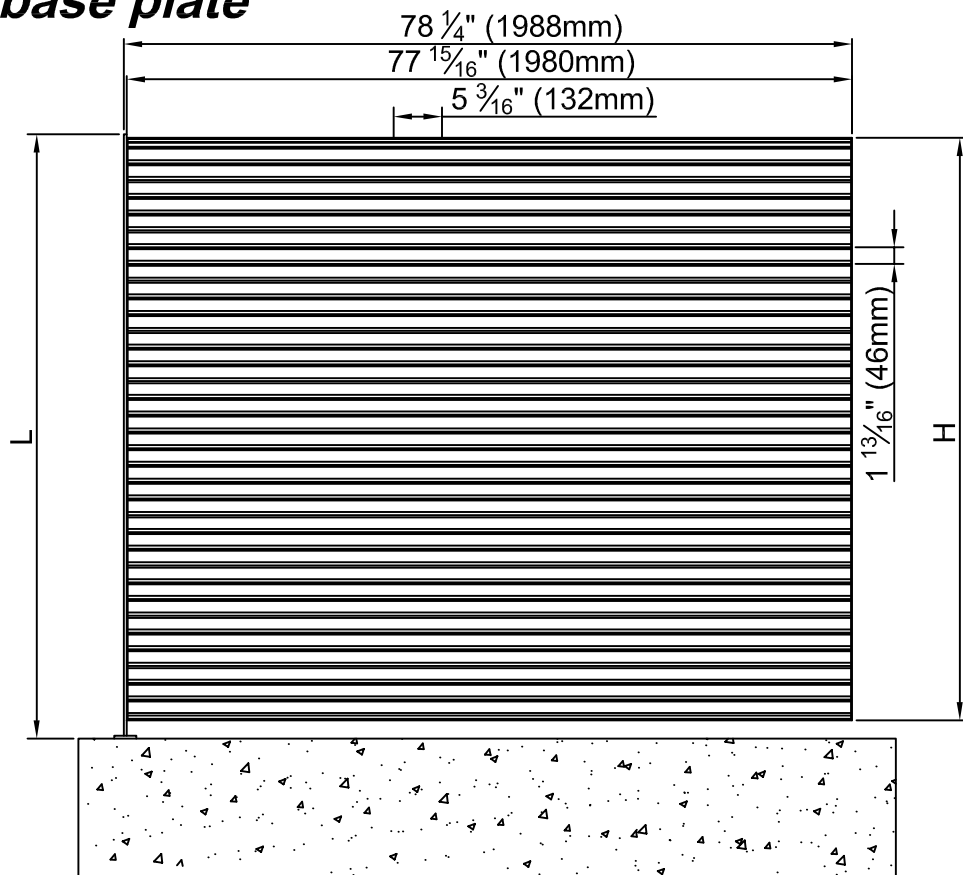


plate 2 3/8" x 9/32" (60x7)

plate 3 1/8" x 5/16" (80x8)

| Panel height " (mm) | Post type " (mm) | Post height " (mm) | Module Weight lb/ft ² (kg/m ²) |
|------------------------|------------------------|-----------------------|--|
| 36 3/8" (924) | 2 3/8" x 9/32" (≠60x7) | 47 1/4" (1200) | 5,0 (24,4) |
| 47 1/4" (1200) | 2 3/8" x 9/32" (≠60x7) | 57 11/16" (1465) | 4,9 (23,7) |
| 54 3/8" (1382) | 2 3/8" x 9/32" (≠60x7) | 65" (1650) | 4,8 (23,4) |
| 61 5/8" (1566) | 2 3/8" x 9/32" (≠60x7) | 72 13/16" (1850) | 4,8 (23,2) |
| 74 5/16" (1887) | 3 1/8" x 5/16" (≠80x8) | 88 5/8" (2250) | 4,9 (24,0) |

Post with base plate

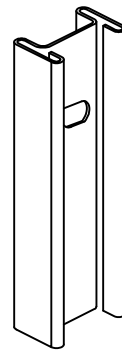
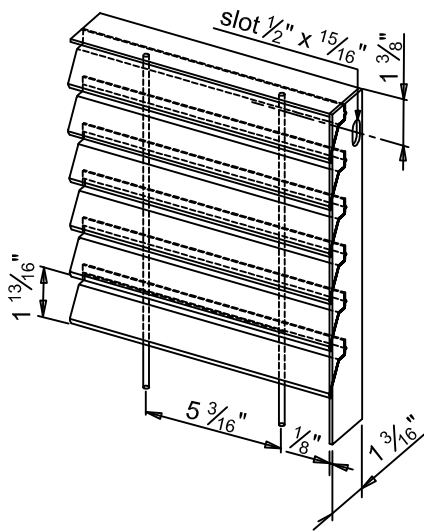
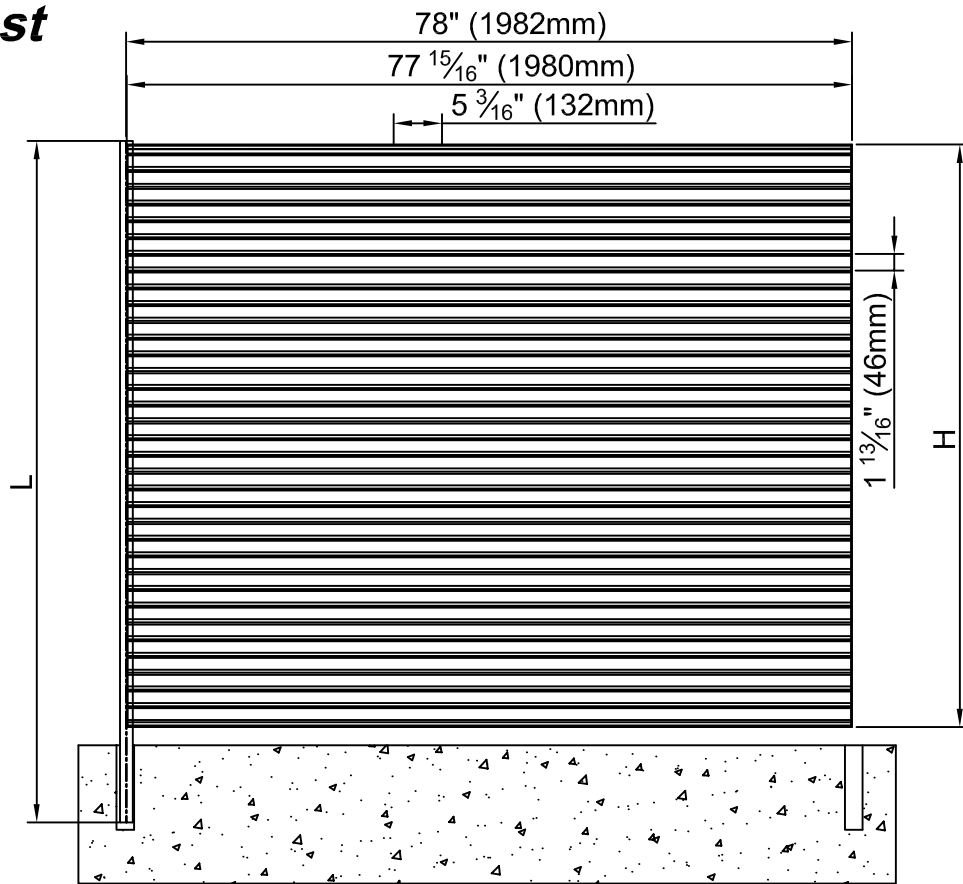


| Panel height " (mm) | Post type " (mm) | Post height " (mm) | Module Weight lb/ft ² (kg/m ²) |
|----------------------------|---|----------------------------|--|
| 36 $\frac{3}{8}$ " (924) | 2 $\frac{3}{8}$ " x $\frac{9}{32}$ " (\neq 60x7) | 38 $\frac{13}{4}$ " (971) | 5,0 (24,3) |
| 47 $\frac{1}{4}$ " (1200) | 2 $\frac{3}{8}$ " x $\frac{9}{32}$ " (\neq 60x7) | 49 $\frac{1}{16}$ " (1246) | 4,8 (23,6) |
| 54 $\frac{3}{8}$ " (1382) | 2 $\frac{3}{8}$ " x $\frac{9}{32}$ " (\neq 60x7) | 56 $\frac{1}{4}$ " (1429) | 4,8 (23,3) |
| 61 $\frac{5}{8}$ " (1566) | 2 $\frac{3}{8}$ " x $\frac{9}{32}$ " (\neq 60x7) | 63 $\frac{9}{16}$ " (1614) | 4,7 (23,1) |
| 74 $\frac{5}{16}$ " (1887) | 3 $\frac{1}{8}$ " x $\frac{5}{16}$ " (\neq 80x8) | 76 $\frac{1}{8}$ " (1934) | 4,9 (23,8) |

Material: (Fe360B UNI 7070) S235 JR EN 10025

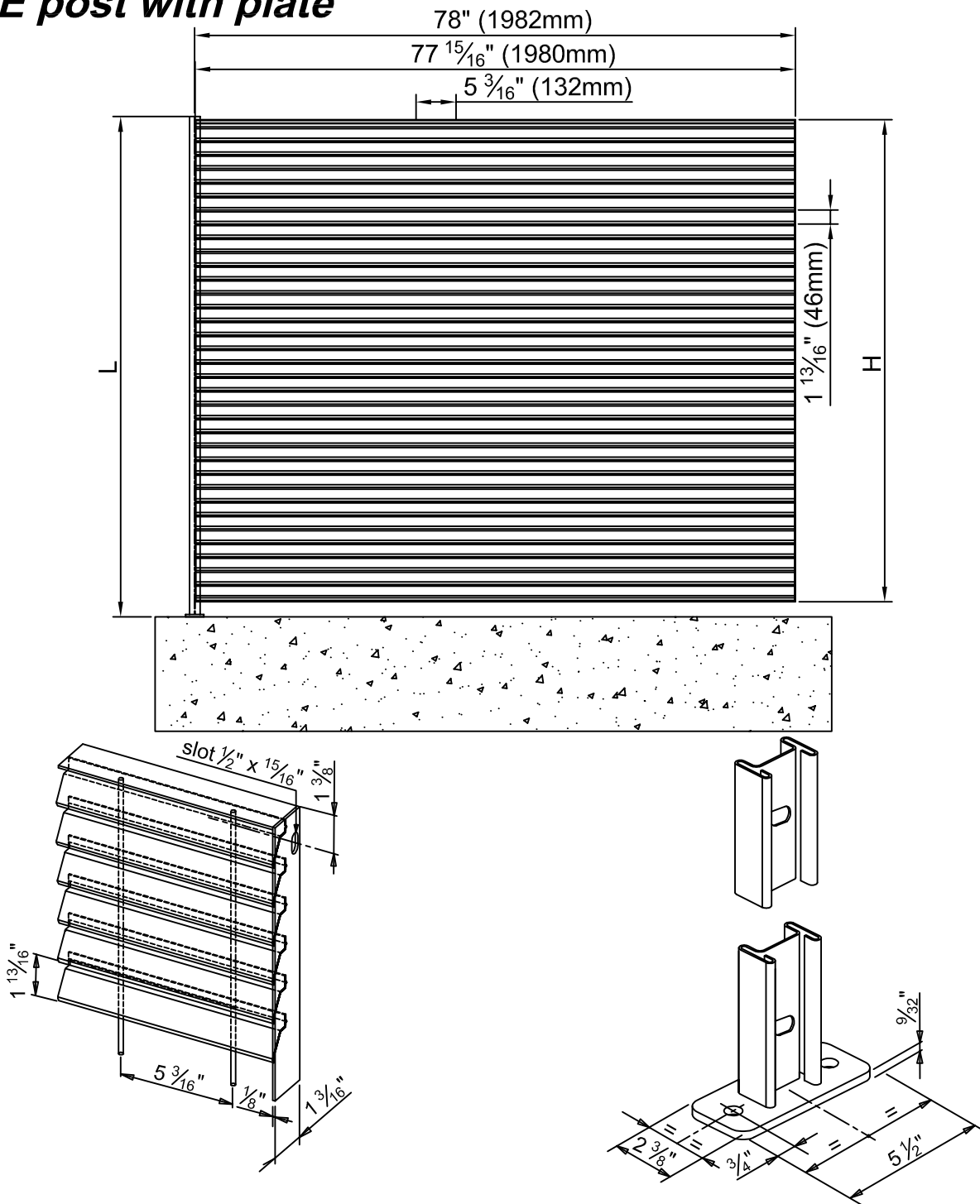
Surface treatment: hot dip galvanizing UNI EN ISO 1461

STYLE post



| Panel height " (mm) | Post type | Post height " (mm) | Module Weight lb/ft ² (kg/m ²) |
|------------------------|-----------|-----------------------|--|
| 36 3/8" (924) | STYLE | 47 1/4" (1200) | 4,6 (22,3) |
| 47 1/4" (1200) | STYLE | 57 11/16" (1465) | 4,5 (21,9) |
| 54 3/8" (1382) | STYLE | 65" (1650) | 4,4 (21,7) |
| 61 5/8" (1566) | STYLE | 72 13/16" (1850) | 4,4 (21,6) |
| 74 5/16" (1887) | STYLE | 88 5/8" (2250) | 4,4 (21,4) |

STYLE post with plate



| Panel height " (mm) | Post type | Post height " (mm) | Module Weight lb/ft ² (kg/m ²) |
|------------------------|-----------|-----------------------|--|
| 36 3/8" (924) | STYLE | 38 3/4" (984) | 4,6 (22,3) |
| 47 1/4" (1200) | STYLE | 49 5/8" (1260) | 4,5 (21,9) |
| 54 3/8" (1382) | STYLE | 56 3/4" (1442) | 4,4 (21,7) |
| 61 5/8" (1566) | STYLE | 64" (1626) | 4,4 (21,5) |
| 74 5/16" (1887) | STYLE | 76 1/4" (1937) | 4,4 (21,3) |